


KUKA | Xpert

Identification number: AR4818

货号	0000-195-562
材料状态	10 - 批准预生产
制造商	KUKA Roboter
产品图片	

Maintenance information

Gear oil



The quantity of oil drained depends on the draining time and the oil temperature. The refilling quantity is the quantity of oil that was drained from the gear unit at the correct operating temperature and with the correct draining time. This oil quantity must be determined. Only this quantity of oil may be used when refilling.

If less than 70 % of the specified oil quantity flows out, flush the gear unit with the determined quantity of drained oil once, then pour in the amount of oil that was drained. If less than 50% of the specified oil quantity flows out (e.g. inclined installation), the flushing operation must be repeated twice. During the flushing procedure, move the axis at jog velocity throughout the entire axis range.

The oil quantities specified in the table correspond to the oil quantities in the gear unit at first filling.

Gear oil new filling quantity	
A1	11.00 l
A2	10.00 l
A3	3.50 l
A4	-
A5	1.20 l
A6	1.20 l
Gear oil refilling quantity	
A1	5.80 l
A2	6.60 l
A3	2.30 l
A4	-
A5	1.10 l
A6	1.00 l

Counterbalancing system

Gas pressure p0	100 bar
Oil pressure p1	140 bar

技术数据

基本数据

	KR 300-2 PA
轴数	5
可控制的轴数	4
工作空间体积	73.5 m ³
位姿重复精度 (ISO 9283)	± 0.08 mm
重量	约 2150 kg
额定负荷	300 kg
最大负载能力	-
最大运动范围	3150 mm
防护等级 (IEC 60529)	IP65
机器人腕部防护等级 (IEC 60529)	IP65
噪声等级	< 72 dB (A)
安装位置	地面
占地面积	-
运动系统安装面布孔图	S960
允许倾角	-
标准色	底座： 黑色 (RAL 9005); 活动部件： 库卡橙色 2567; 平衡重量： 黑色 (RAL 9005)
控制系统	KR C4
变压器名称	KR C4: KR300PA_2 S C4 FLR

环境条件

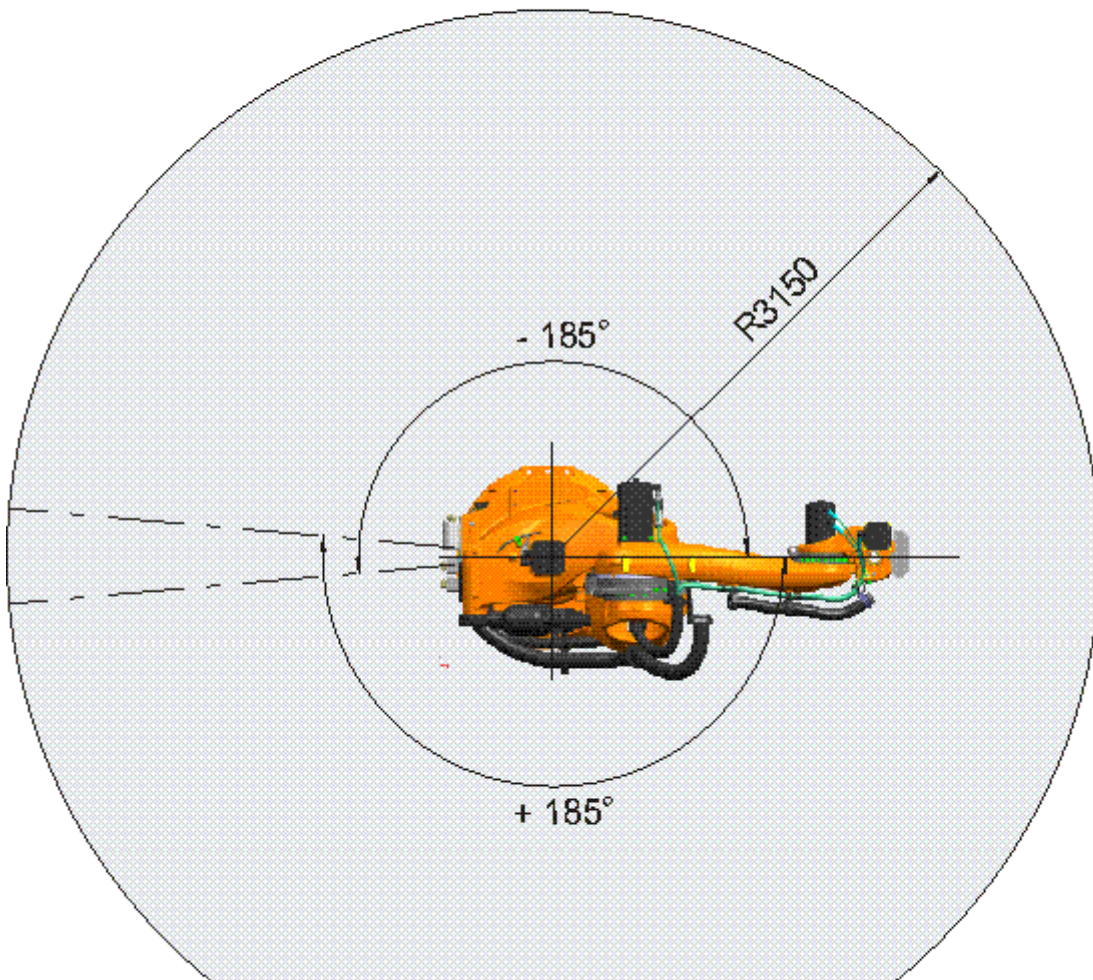
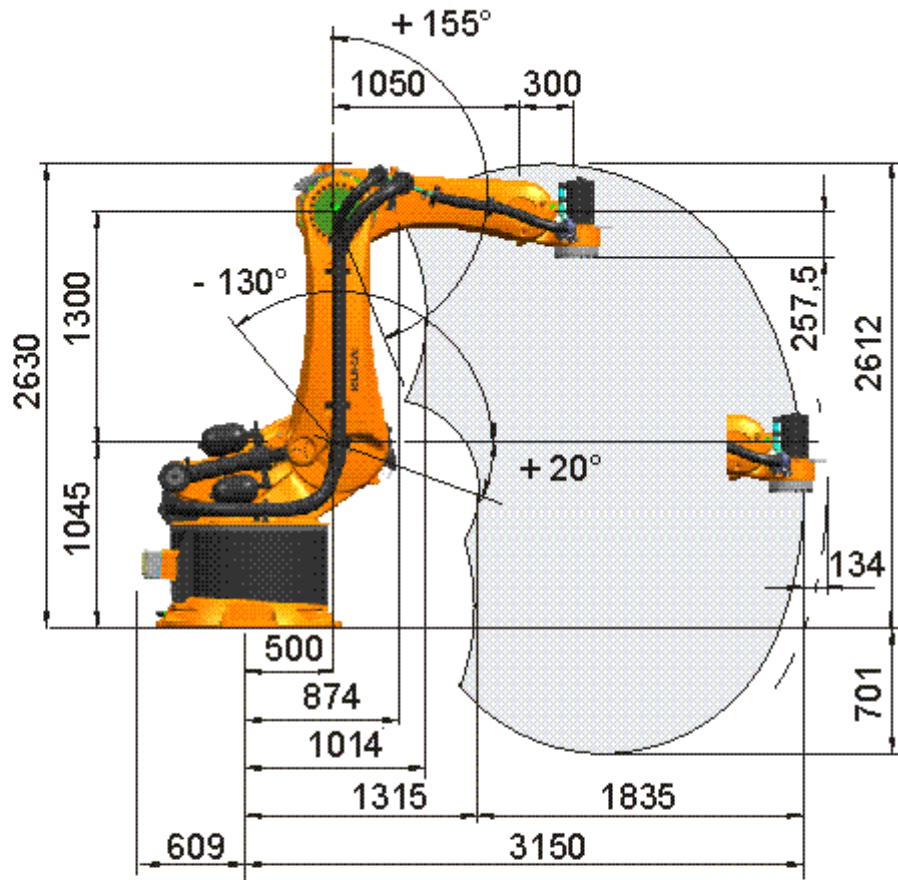
湿度等级 (EN 60204)	-
环境条件分类 (EN 60721-3-3)	3K3
环境温度	
运行时	0 °C 至 55 °C (273 K 至 328 K)
仓储和运输时	-40 °C 至 60 °C (233 K 至 333 K)

轴数据

运动范围	
A1	$\pm 185^\circ$
A2	$-130^\circ / 20^\circ$
A3	$0^\circ / 155^\circ$
A4	-
A5	轴未激活可选
A6	$\pm 350^\circ$
额定负载时的速度	
A1	97.5 °/s
A2	91 °/s
A3	89 °/s
A4	-
A5	-
A6	177 °/s

工作区域

Maße / Dimensions: mm

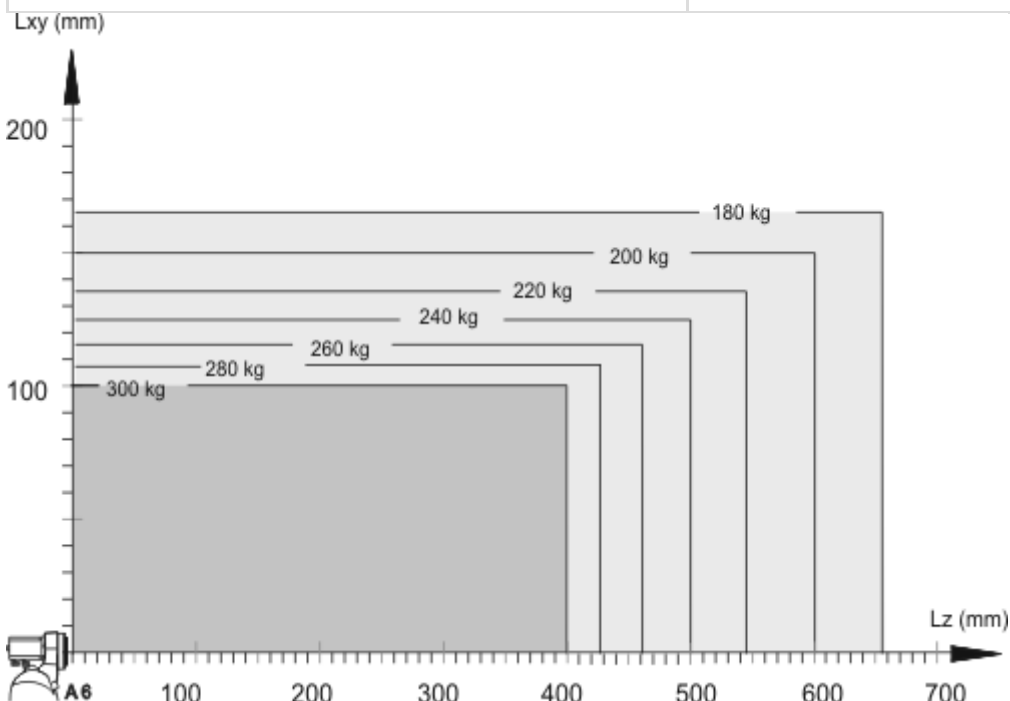




KR 300 470 PA 工作区域

负载能力

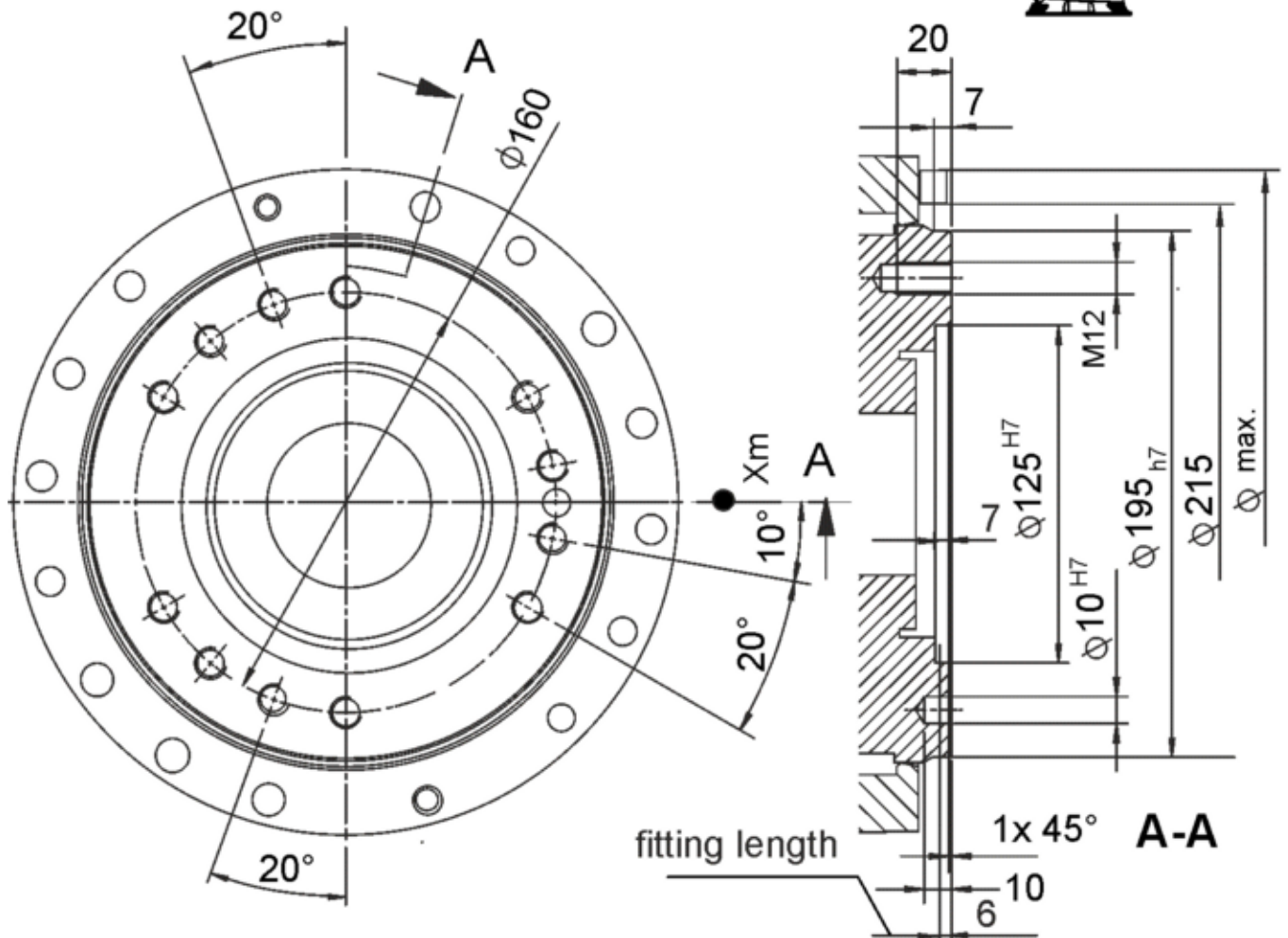
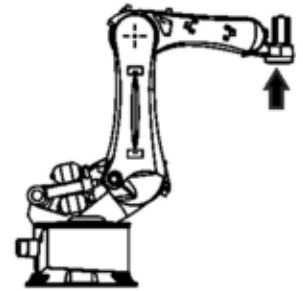
额定负荷	300 kg
最大负载能力	-
法兰 Ix 额定质量转动惯量	150 kgm ²
法兰 Iy 额定质量转动惯量	150 kgm ²
法兰 Iz 额定质量转动惯量	150 kgm ²
底座的额定附加负载	0 kg
底座的最大附加负载	-
转盘的额定附加负载	0 kg
旋转机构的最大附加负载	400 kg
大臂的额定附加负载	0 kg
大臂的最大附加负载	100 kg
小臂的额定附加负载	50 kg
小臂的最大附加负载	100 kg
负载重心额定距离	
Lxy	100 mm
Lz	300 mm



连接法兰

机器人腕部类型	Hohlwellenhand
连接法兰	见图纸

Maße / Dimensions: mm



连接法兰

地基负载

纵向动力 F(v)	
F(v 正常)	36000 N
F(vmax)	40500 N
横向动力 F(h)	
F(h 正常)	10500 N
F(hmax)	23500 N
倾覆力矩 M(k)	
M(k 正常)	47000 Nm
M(kmax)	84500 Nm
轴 2 转矩 M(r)	
M(r 正常)	45500 Nm
M(rmax)	45500 Nm

垂直力 $F(v)$ 、水平力 $F(h)$ 、倾斜力矩 $M(k)$ 、轴 1 的转矩 $M(r)$

Dangerous goods information

The following parts of the product must be considered dangerous goods with regard to their transportation in public spaces:

For sea or air freight, the following UN number shall apply:

UN 3164 Articles, pressurized, hydraulic (with non-flammable, non-toxic gases)

UN number	UN 3164
Proper shipping name	Articles, pressurized, hydraulic (with non-flammable, non-toxic gases)
Class	2.2
Explanation of class	Non-flammable, non-toxic gases
Example	Filled hydropneumatic CBSs
Hazard	<ul style="list-style-type: none">• Bursting of the pressure vessels (100 - 160 bar)• Splintering not possible• Freezing due to sudden escape of gas
Measures	<ul style="list-style-type: none">• Do not loiter in low-lying areas• If possible, drain oil and depressurize CBS

关税信息

统计货号	84795000
原产地	DE
制造商	-
重量	2150 kg

- > **KR 300-2 PA** 带有如下的标准组件 (3)
- > **KR 300-2 PA** 需要 (10)
- > **KR 300-2 PA** 有以下选项 (30)