
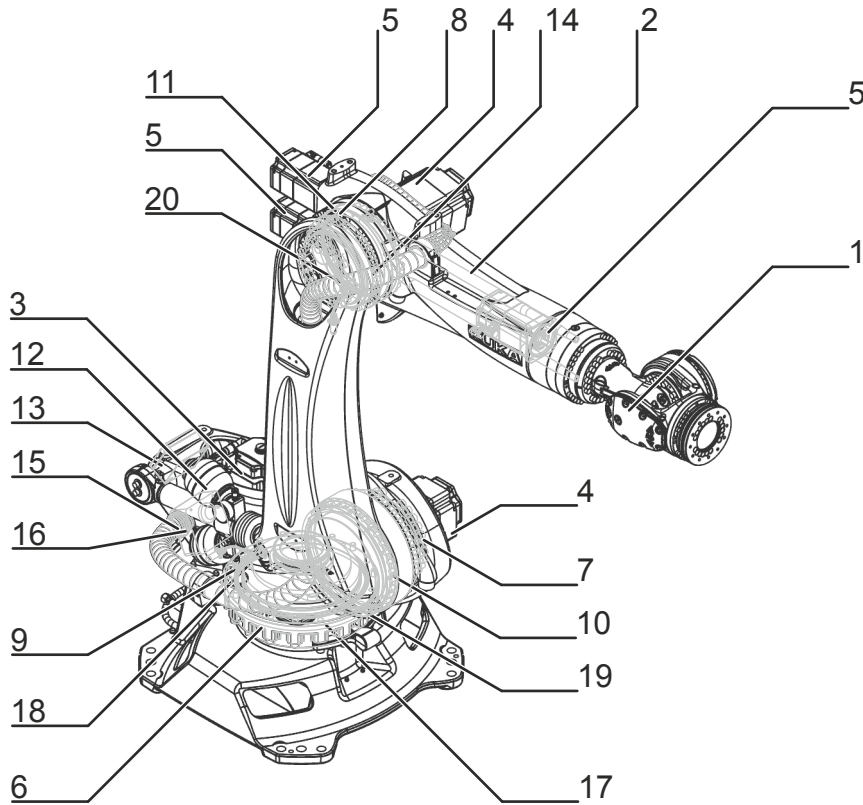


KUKA | Xpert

Identification number: AR8401

货号	0000-223-612
材料状态	60 - 客户服务
制造商	KUKA Roboter
产品图片	

Spare parts




Spare parts graphic KR 300 R2500 ultra SE , schematic representation

Pos.	Article number	Designation	Component	Work instruction
1	0000-192-227	SPP ZH270/300	In-line wrist	Exchanging the in-line wrist
2	0000-192-309	SPP Connection shaft 1000 A4,A5	Connecting shaft	Exchanging connecting shafts A4 and A5
3	0000-192-295	SPP AC servomotor I2/1FK7101	Motor A1	
4	0000-192-293	SPP AC servomotor K2/1FK7103	Motor A2 Motor A3	
5	0000-192-297	SPP AC servomotor D01/1FK7063	Motor A4 Motor A5 Motor A6	Exchanging motor A4 Exchanging motor A5 Exchanging motor A6
6	0000-256-180	SPP SE-gear box RV700CS - with out oil	Gear A1	

Pos.	Article number	Designation	Component	Work instruction
7	0000-256-181	SPP SE-gear box RV700N - with out oil	Gear A2	
8	0000-256-182	SPP SE-gear box RV500N - with out oil	Gear A3	
9	0000-256-179	SPP brushes used for SE-A1		
10	0000-258-204	SPP SE-brush box A2		
11	0000-258-205	SPP SE-brush box A3		
12	0000-192-268	SPP counterbalancer heavy	Counterbalancing system	Exchange the counterbalancing system
13	0000-258-207	SPP SE-box without cable		Exchanging the SE box
14	0000-184-497	KRC4 Rob. cable set compl KR210 R2700	Cable set	Exchanging the cable set
15	0000-246-872	Resolver Digital Converter RDC	RDC	Exchanging the RDC
16	0000-172-903	Electronic Data Storage EDS	EDS	Exchanging the EDS
17	0000-214-962	SE protection ring assy.		
18	0000-218-306	scanning head WMK-301.12-0507-0,2-9-S01	Scanning head A1	Exchanging scanning head A1
19	0000-222-910	scan. head WMK-301.12-0413-0,1-9-S01	Scanning head A2	Exchanging scanning head A2
20	0000-218-309	scan. head WMK-301.12-0339-0,125-9-S01	Scanning head A3	Exchanging scanning head A3
21	0000-231-443	CON SEN 1 SE 0,25mm2		Exchanging the connecting cable between the SE box and scanning sensor A1
22	0000-231-444	CON SEN 2 SE 0,25mm2		Exchanging the connecting cable between the SE box and scanning sensor A2

Pos.	Article number	Designation	Component	Work instruction
23	0000-231-445	CON SEN 3 SE 0,25mm2		Exchanging the connecting cable between the SE box and scanning sensor A3
24	0000-234-313	SE data cable		Exchanging data cable between RDC and SE box

Export to Excel 

Maintenance information

Gear oil



The quantity of oil drained depends on the draining time and the oil temperature. The refilling quantity is the quantity of oil that was drained from the gear unit at the correct operating temperature and with the correct draining time. This oil quantity must be determined. Only this quantity of oil may be used when refilling.

If less than 70 % of the specified oil quantity flows out, flush the gear unit with the determined quantity of drained oil once, then pour in the amount of oil that was drained. If less than 50% of the specified oil quantity flows out (e.g. inclined installation), the flushing operation must be repeated twice. During the flushing procedure, move the axis at jog velocity throughout the entire axis range.

The oil quantities specified in the table correspond to the oil quantities in the gear unit at first filling.

Gear oil new filling quantity	
A1	6.50 l
A2	2.90 l
A3	1.80 l
A4	2.10 l
A5	1.10 l
A6	1.20 l
Gear oil refilling quantity	
A1	5.20 l
A2	2.50 l
A3	1.70 l
A4	2.00 l
A5	0.90 l
A6	0.90 l

Counterbalancing system

Gas pressure p0	156 bar
Oil pressure p1	176 bar

技术数据

基本数据

	KR 300 R2500 ultra SE
轴数	6
可控制的轴数	6
工作空间体积	39.9 m ³
位姿重复精度 (ISO 9283)	± 0.06 mm
重量	约 1120 kg
额定负荷	300 kg
最大负载能力	-
最大运动范围	2496 mm
防护等级 (IEC 60529)	IP65
机器人腕部防护等级 (IEC 60529)	IP65
噪声等级	< 75 dB (A)
安装位置	地面
占地面积	830 mm x 830 mm
运动系统安装面布孔图	-
允许倾角	≤ 5 °
标准色	底座： 黑色 (RAL 9005); 活动部件： 库卡橙色 2567
控制系统	KR C4
变压器名称	KR C4: KR300R2500 ULTRA SE C4 FLR

环境条件

湿度等级 (EN 60204)	-
环境条件分类 (EN 60721-3-3)	3K3
环境温度	
运行时	10 °C 至 55 °C (283 K 至 328 K)
仓储和运输时	-40 °C 至 60 °C (233 K 至 333 K)

轴数据

运动范围	
A1	$\pm 147^\circ$
A2	$-140^\circ / -5^\circ$
A3	$-112^\circ / 153^\circ$
A4	$\pm 350^\circ$
A5	$\pm 122.5^\circ$
A6	$\pm 350^\circ$
额定负载时的速度	
A1	84.6 °/s
A2	82.3 °/s
A3	79.3 °/s
A4	122 °/s
A5	113 °/s
A6	175 °/s

负载能力

额定负荷	300 kg
最大负载能力	-
法兰 I_x 额定质量转动惯量	150 kgm ²
法兰 I_y 额定质量转动惯量	150 kgm ²
法兰 I_z 额定质量转动惯量	150 kgm ²
底座的额定附加负载	0 kg
底座的最大附加负载	0 kg
转盘的额定附加负载	0 kg
旋转机构的最大附加负载	300 kg
大臂的额定附加负载	0 kg
大臂的最大附加负载	130 kg
小臂的额定附加负载	50 kg
小臂的最大附加负载	150 kg
负载重心额定距离	
L_{xy}	270 mm
L_z	240 mm

地基负载


纵向动力 F(v)	
F(v 正常)	19100 N
F(vmax)	24000 N
横向动力 F(h)	
F(h 正常)	9200 N
F(hmax)	16000 N
倾覆力矩 M(k)	
M(k 正常)	24000 Nm
M(kmax)	49000 Nm
轴 2 转矩 M(r)	
M(r 正常)	10200 Nm
M(rmax)	35000 Nm

垂直力 F(v)、水平力 F(h)、倾斜力矩 M(k)、轴 1 的转矩 M(r)

Dangerous goods information

The following parts of the product must be considered dangerous goods with regard to their transportation in public spaces:

Pos.	Article number	Designation	Gas pressure p0	Nitrogen mass
1	0000-179-517	Counter Balance System heavy filled	156 bar	0.359 kg

Export to Excel 

For sea or air freight, the following UN number shall apply:

UN 3164 Articles, pressurized, hydraulic (with non-flammable, non-toxic gases)

UN number	UN 3164
Proper shipping name	Articles, pressurized, hydraulic (with non-flammable, non-toxic gases)
Class	2.2
Explanation of class	Non-flammable, non-toxic gases
Example	Filled hydropneumatic CBSs
Hazard	<ul style="list-style-type: none"> • Bursting of the pressure vessels (100 - 160 bar) • Splintering not possible • Freezing due to sudden escape of gas
Measures	<ul style="list-style-type: none"> • Do not loiter in low-lying areas • If possible, drain oil and depressurize CBS

关税信息

统计货号	84795000
原产地	DE
制造商	-
重量	1129 kg

- > **KR 300 R2500 ultra SE** 带有如下的工具 (25)
- > **KR 300 R2500 ultra SE** 有以下选项 (39)
- > **KR 300 R2500 ultra SE** 带有如下的标准组件 (2)
- > **KR 300 R2500 ultra SE** 包含以下危险品 (1)
- > **KR 300 R2500 ultra SE** 需要 (6)
- > **KR 300 R2500 ultra SE** 带有如下的备件 (19)