
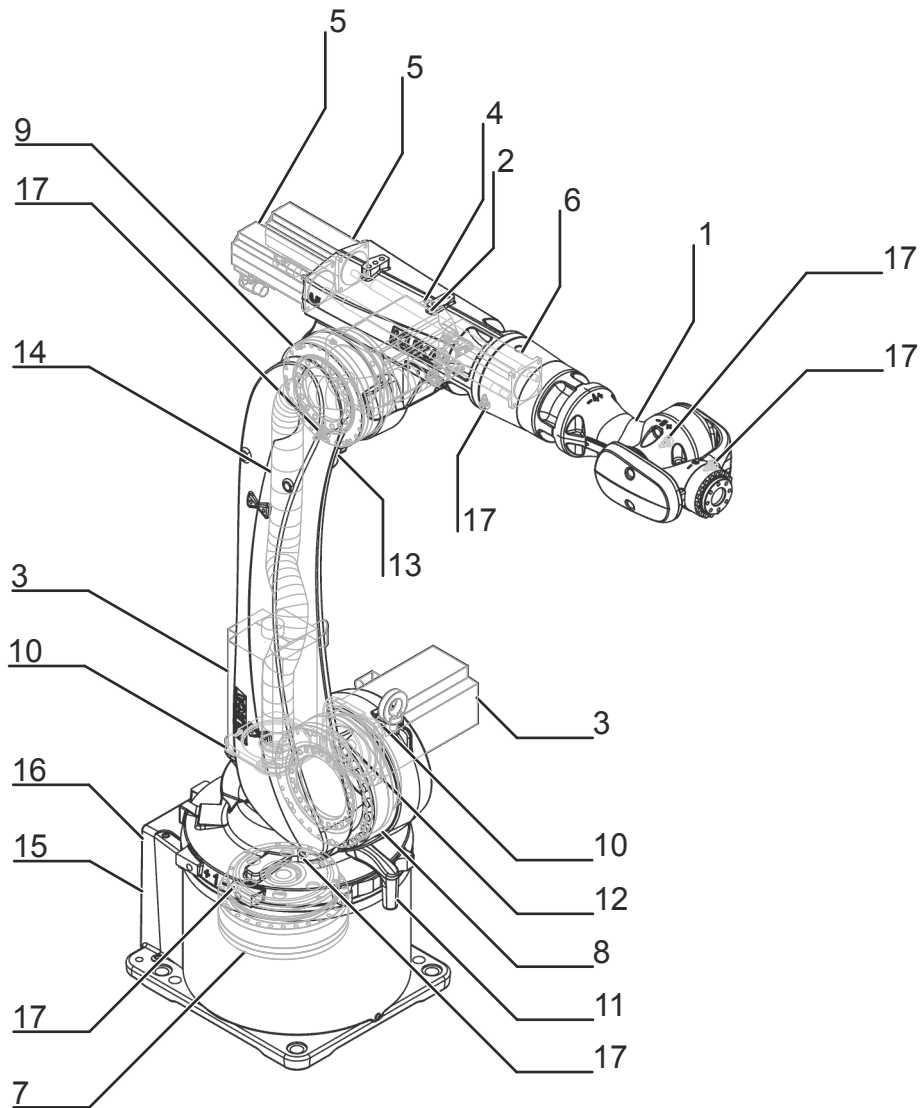


KUKA | Xpert

Identification number: AR9193

货号	0000-262-127
材料状态	60 - 客户服务
制造商	KUKA Roboter
产品图片	


Spare parts



Spare parts graphic KR 8 R2010 , schematic representation

Pos.	Article number	Designation	Component	Work instruction
1	0000-292-348	SPP IW 8/12/16/20	In-line wrist	更换机器人腕部
2	0000-292-342	SPP shaft CYBERTECH COS	Connecting shaft	Exchanging the connecting shafts
3	0000-292-256	SPP motor 2.0kW ME	Motor A1 Motor A2	Exchanging motor A1 更换轴 A2 的电机
4	0000-292-259	SPP motor 1.8kW ME	Motor A3	更换轴 A3 的电机

Pos.	Article number	Designation	Component	Work instruction
5	0000-292-345	SPP motor 1.0kW ME	Motor A4 Motor A5	更换轴 A4 的电机 Exchanging motor A5
6	0000-292-360	SPP motor 1.0 kW ME	Motor A6	Exchanging motor A6
7	0000-292-675	SPP gear unit A1 i=55; z=64	Gear A1	Exchanging gear unit A1
8	0000-292-264	SPP gear unit A2 i=55; z=77	Gear A2	
9	0000-292-261	SPP gear unit TS185-G i=117	Gear A3	Exchanging gear unit A3
10	0000-292-263	SPP input stage TS225 PS i=125	Input gear stage A1 Input gear stage A2	
11	0000-268-767	Axis limit A1 15°	Range limitation A1	
12	0000-265-974	Axis limit A2 15°	Range limitation A2	
13	0000-268-896	Axis limit A3 12°	Range limitation A3	
14	0000-268-166	Cable set INT 076ST2010	Cable set	
15	0000-172-903	Electronic Data Storage EDS	EDS	Exchanging the EDS
16	0000-246-872	Resolver Digital Converter RDC	RDC	Exchanging the RDC
17	0000-200-304	Mini gauge cartridge	Mastering cartridge A1 Mastering cartridge A2 Mastering cartridge A3 Mastering cartridge A4 Mastering cartridge A5 Mastering cartridge A6	

Export to Excel 

Maintenance information

Gear oil

CAUTION

The quantity of oil drained depends on the draining time and the oil temperature. The refilling quantity is the quantity of oil that was drained from the gear unit at the correct operating temperature and with the correct draining time. This oil quantity must be determined. Only this quantity of oil may be used when refilling.

If less than 70 % of the specified oil quantity flows out, flush the gear unit with the determined quantity of drained oil once, then pour in the amount of oil that was drained. If less than 50% of the specified oil quantity flows out (e.g. inclined installation), the flushing operation must be repeated twice. During the flushing procedure, move the axis at jog velocity throughout the entire axis range.

The oil quantities specified in the table correspond to the oil quantities in the gear unit at first filling.

Gear oil new filling quantity	
A1	1.20 l
A2	0.80 l
A3	0.32 l
A4	0.32 l
A5	0.14 l
A6	0.23 l
Gear oil refilling quantity	
A1	1.00 l
A2	0.77 l
A3	0.30 l
A4	0.31 l
A5	0.14 l
A6	0.22 l

技术数据

基本数据

	KR 8 R2010
轴数	6
可控制的轴数	6
工作空间体积	32.5 m ³
位姿重复精度 (ISO 9283)	± 0.04 mm
重量	约 255 kg
额定负荷	8 kg
最大负载能力	9.7 kg
最大运动范围	2013 mm
防护等级 (IEC 60529)	IP65
机器人腕部防护等级 (IEC 60529)	IP65
噪声等级	< 75 dB (A)
安装位置	地面; 屋顶; 墙壁; 任意角度
占地面积	430.5 mm x 370 mm
运动系统安装面布孔图	S260
允许倾角	-
标准色	底座: 黑色 (RAL 9005); 活动部件: 库卡橙色 2567
控制系统	KR C4
变压器名称	KR C4: KR8R2010 C4

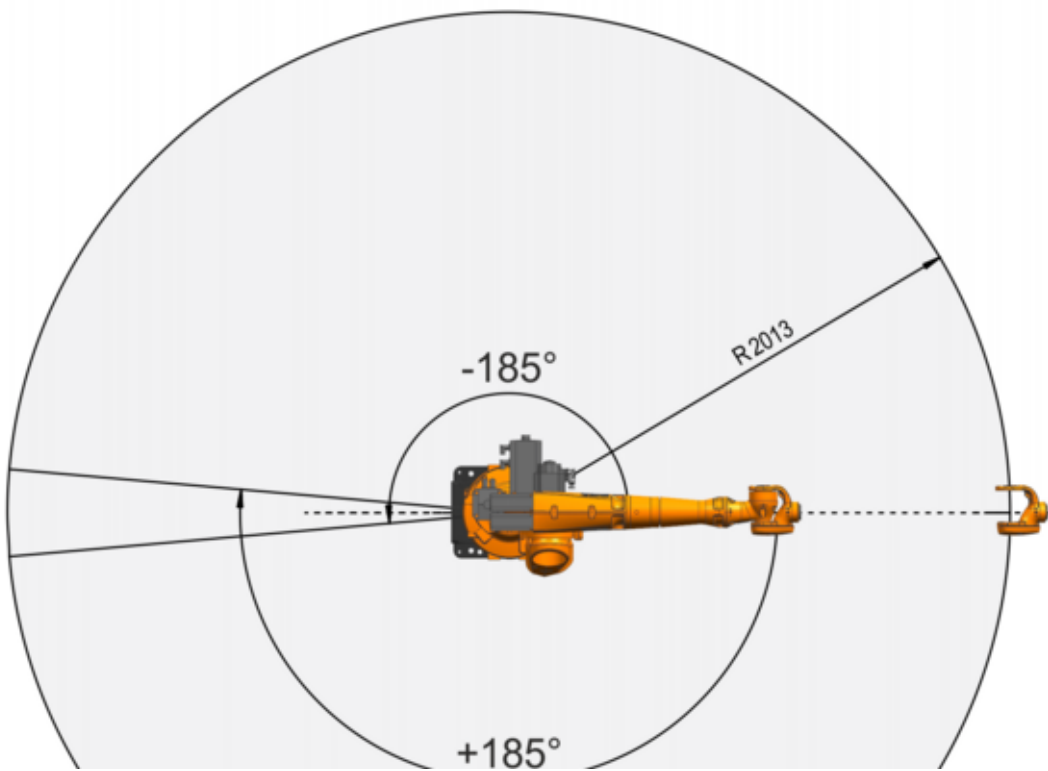
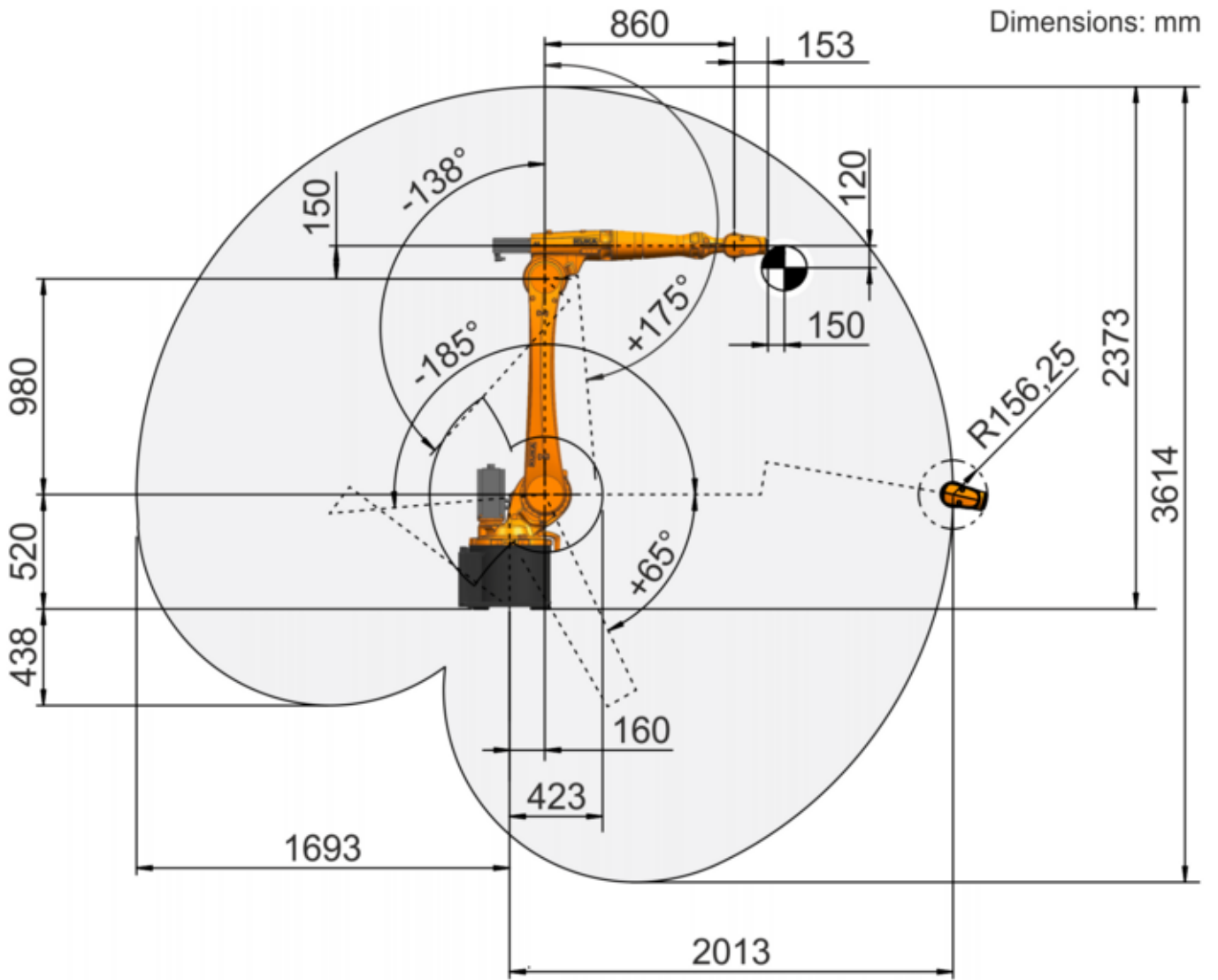
环境条件

湿度等级 (EN 60204)	-
环境条件分类 (EN 60721-3-3)	3K3
环境温度	
运行时	5 °C 至 45 °C (278 K 至 318 K)
仓储和运输时	-20 °C 至 60 °C (253 K 至 333 K)

轴数据

运动范围	
A1	±185 °
A2	-185 ° / 65 °
A3	-138 ° / 175 °
A4	±350 °
A5	±130 °
A6	±350 °
额定负载时的速度	
A1	200 °/s
A2	175 °/s
A3	190 °/s
A4	430 °/s
A5	430 °/s
A6	630 °/s

工作区域

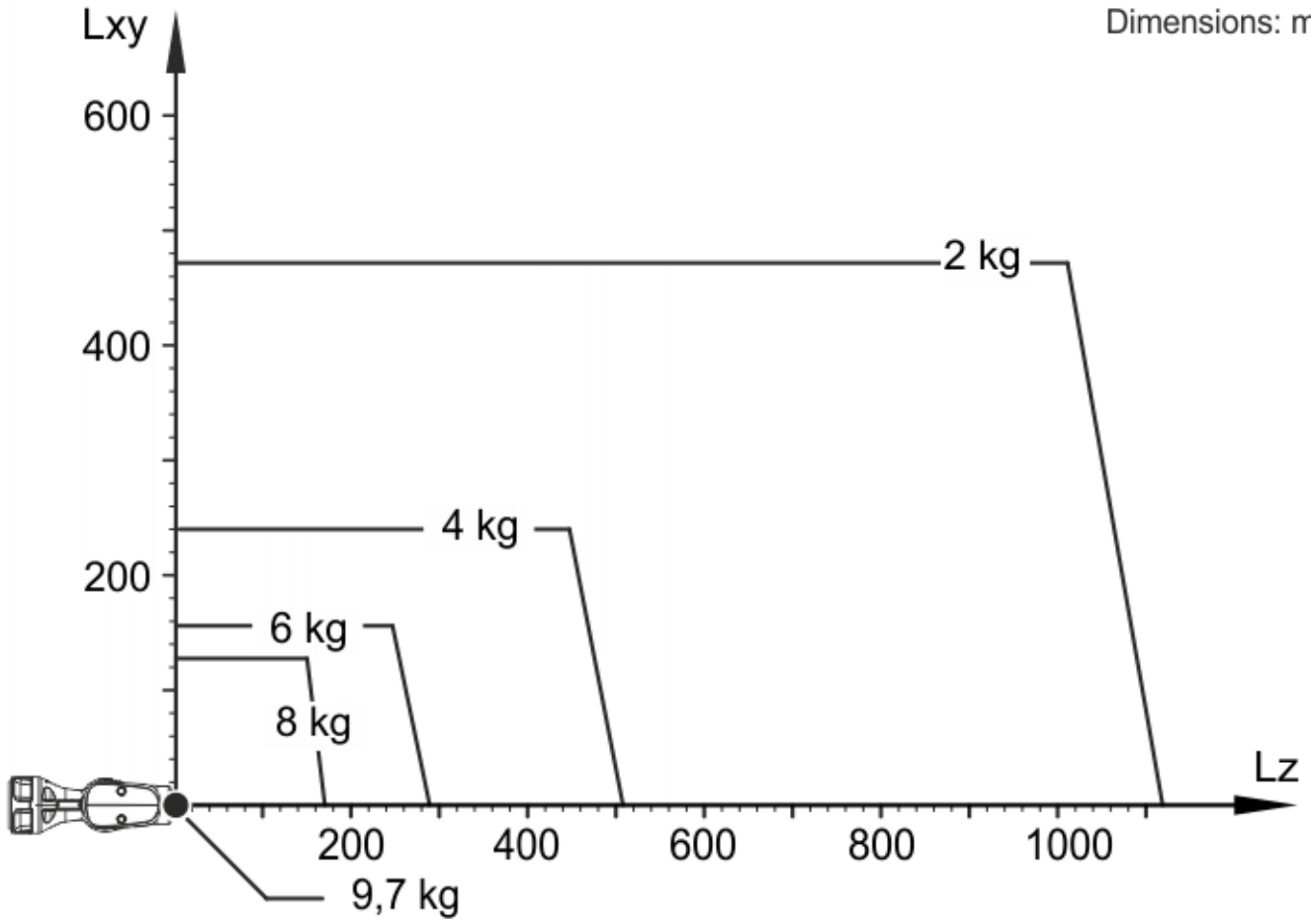




工作区域，全貌，KR 8 R2010

负载能力

额定负荷	8 kg
最大负载能力	9.7 kg
法兰 I_x 额定质量转动惯量	0.36 kgm ²
法兰 I_y 额定质量转动惯量	0.36 kgm ²
法兰 I_z 额定质量转动惯量	0.36 kgm ²
底座的额定附加负载	0 kg
底座的最大附加负载	0 kg
转盘的额定附加负载	0 kg
旋转机构的最大附加负载	20 kg
大臂的额定附加负载	0 kg
大臂的最大附加负载	15 kg
小臂的额定附加负载	10 kg
小臂的最大附加负载	15 kg
负载重心额定距离	
L_{xy}	120 mm
L_z	150 mm

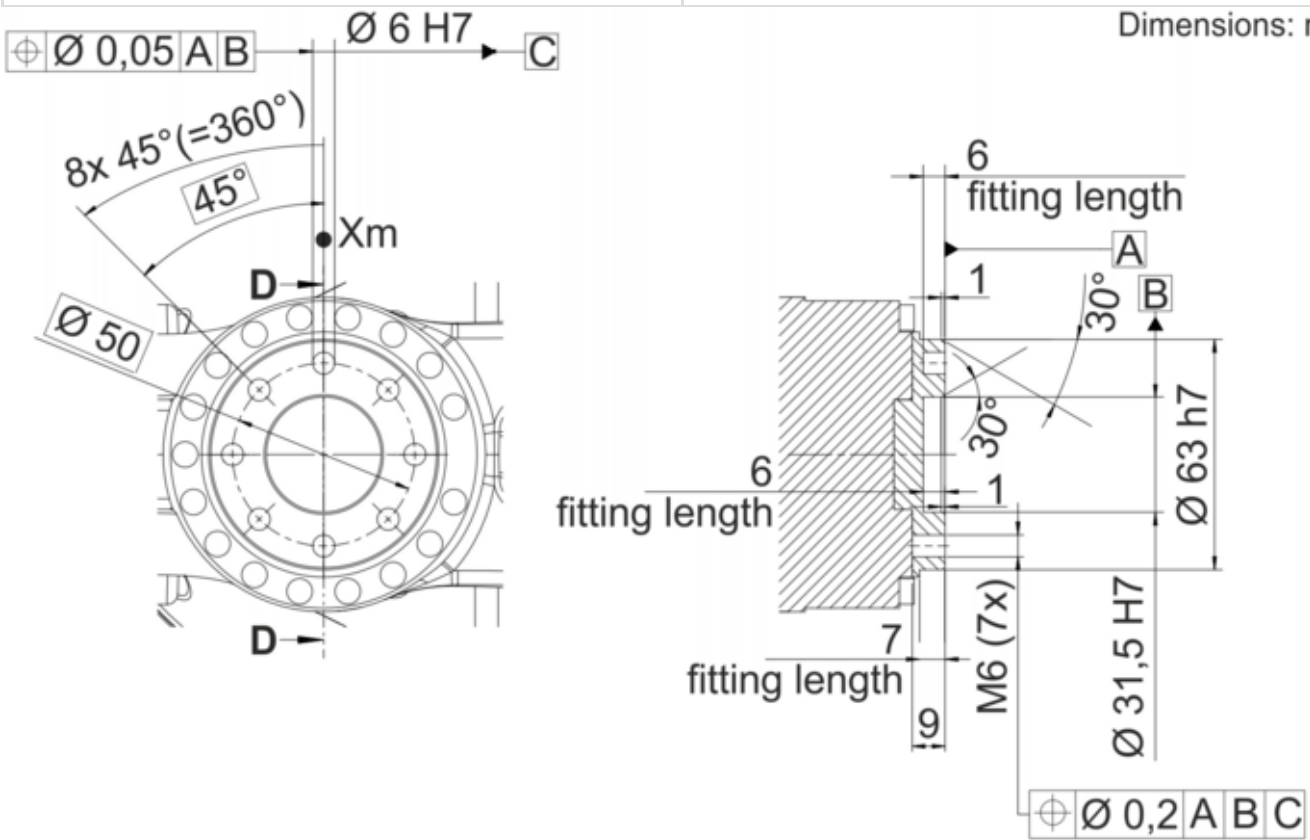


KR 8 R2010 负载能力图表

连接法兰

机器人腕部类型	ZH 8/12/16/20
连接法兰	见图纸

Dimensions: mm



连接法兰

地基负载

地面安装位置时的地基负载	
F(v normal)	4038 N
F(v max)	4434 N
F(h normal)	2336 N
F(h max)	2988 N
M(k normal)	3334 Nm
M(k max)	4177 Nm
M(r normal)	1965 Nm
M(r max)	2361 Nm
天花板安装位置时的地基负载	
F(v normal)	4104 N
F(v max)	4535 N
F(h normal)	2272 N
F(h max)	2793 N
M(k normal)	3642 Nm
M(k max)	4553 Nm
M(r normal)	2017 Nm
M(r max)	2314 Nm
墙壁安装位置时的地基负载	
F(v normal)	4265 N
F(v max)	4661 N
F(h normal)	1464 N
F(h max)	2268 N
M(k normal)	4603 Nm
M(k max)	5124 Nm

M(r normal)	1739 Nm
M(r max)	2368 Nm

垂直力 $F(v)$ 、水平力 $F(h)$ 、倾斜力矩 $M(k)$ 、轴 1 的转矩 $M(r)$

Process forces

Process forces are forces that are exerted on the robot in a defined manner by an external influence. Causes include pressing processes and machining tasks carried out by the robot. The process forces that the robot can withstand depend to a very great degree on the robot position, payload, direction and duration of action. For this reason, it is not possible for a simple limit value to be specified for permissible process forces.

Permissible process torques are therefore specified for all axes of the robot. These values indicate the torque that each robot axis can withstand on a sustained basis as a result of external forces.

The following load torques must not be exceeded:

A1	1300 Nm
A2	575 Nm
A3	360 Nm
A4	80 Nm
A5	75 Nm
A6	35 Nm

Flange loads

Flange loads

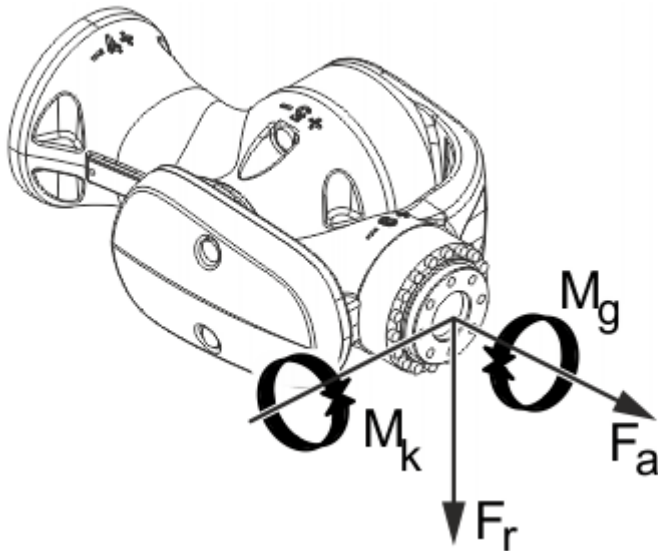
Due to the motion of the payload (e.g. tool) mounted on the robot, forces and torques act on the mounting flange. These forces and torques depend on the motion profile as well as the mass, load center of gravity and mass moment of inertia of the payload.

The specified values refer to nominal payloads at the nominal distance and do not include safety factors. It is imperative for the load data to be entered in the robot controller. The robot controller takes the payload into consideration during path planning. A reduced payload does not necessarily result in lower forces and torques.

The values are guide values determined by means of trial and simulation and refer to the most heavily loaded machine in the robot family. The actual forces and torques may differ due to internal and external influences on the mounting flange or a different point of application. It is therefore advisable to determine the exact forces and torques where necessary on site under the real conditions of the actual robot application.

The operating values may occur permanently in the normal motion profile. It is advisable to rate the tool for its fatigue strength.

The EMERGENCY STOP values may arise in the event of an Emergency Stop situation of the robot. As these should only occur very rarely during the service life of the robot, a static strength verification is usually sufficient.



Flange loads

Flange loads during operation	
F(a)	970 N
F(r)	960 N

M(k)	249 Nm
M(g)	107 Nm
Flange loads in the case of EMERGENCY STOP	
F(a)	1115 N
F(r)	1280 N
M(k)	326 Nm
M(g)	164 Nm

Axial force $F(a)$, radial force $F(r)$, tilting torque $M(k)$, torque about mounting flange $M(g)$

轨迹精度

线性运动的轨迹精度:

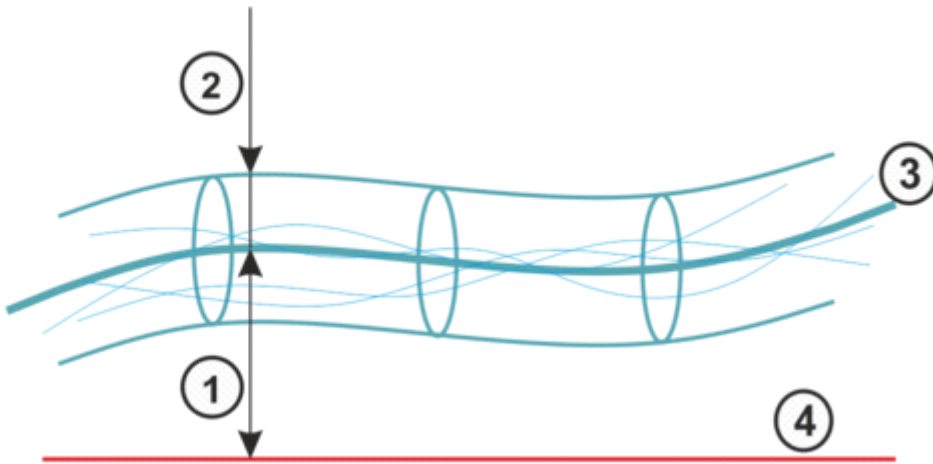
LIN 轨迹绝对精度 (ISO 9283)	$\pm 0.6 \text{ mm}$
SLIN 轨迹绝对精度 (ISO 9283)	$\pm 0.5 \text{ mm}$
轨迹重复精度 线性 (ISO 9283)	$\pm 0.2 \text{ mm}$

该数据针对的是 1 m/s 的参考速度。

圆周运动的轨迹精度:

CIRC 轨迹绝对精度 (ISO 9283)	$\pm 0.5 \text{ mm}$
SCIRC 轨迹绝对精度 (ISO 9283)	$\pm 0.4 \text{ mm}$
圆周轨道重复精度 (ISO 9283)	$\pm 0.2 \text{ mm}$

该数据针对的是 0.5 m/s 的参考速度。



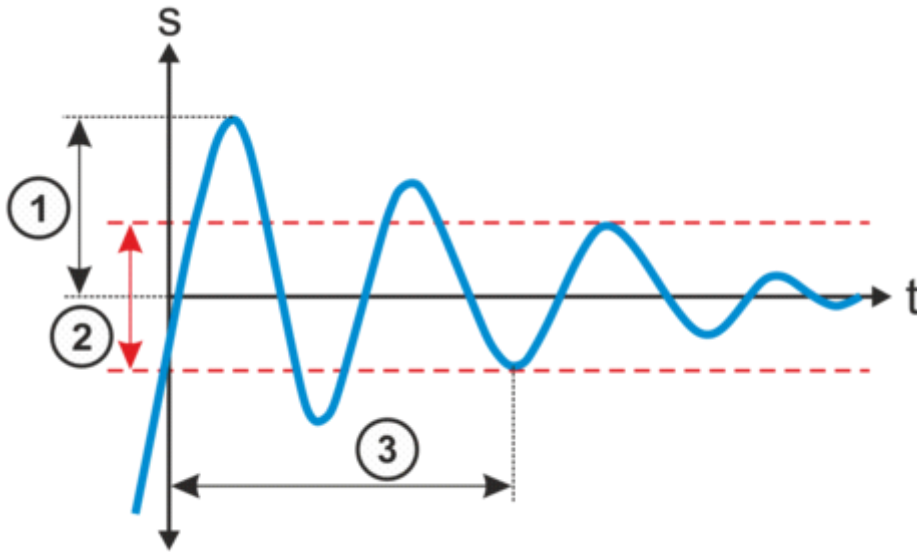
轨迹精度

1	轨迹绝对精度	3	运行轨迹的平均值
2	轨迹重复精度	4	编程的轨迹

- 轨迹精度表示机器人在编程的轨迹上运动的能力。
- 轨迹重复精度表示 10 个运行轨迹与运行轨迹平均值的偏差。

超调状态

振幅	0.5 mm
定位时间	0.2 s



超调状态

1	超调振幅	3	定位时间
2	公差范围		

- 超调振幅影响机器人在特定位置执行受控的精确暂停的能力。
- 定位时间表示机器人在特定位置上停止的速度。

更多的信息

- 给出的数据基于 ISO 9283，并使用 Krypton/Metris 的基于摄像机的系统测得。因此重复精度被定义为 3 sigma 值。
- 所有数值均以额定负载测得。

关税信息

统计货号	84795000
原产地	DE
制造商	KUKA Roboter
重量	270 kg

- > **KR 8 R2010** 需要 (3)
- > **KR 8 R2010** 带有如下的工具 (12)
- > **KR 8 R2010** 带有如下的备件 (17)
- > **KR 8 R2010** 有以下选项 (26)