
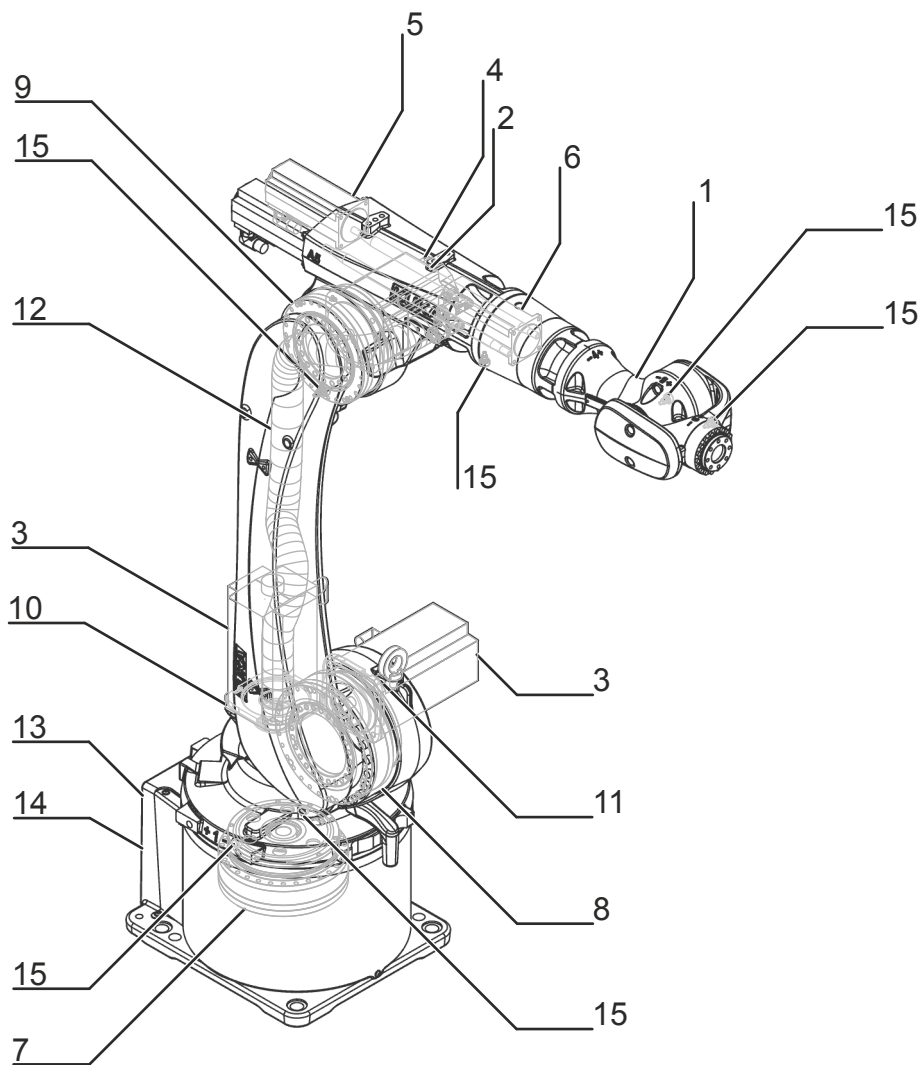


KUKA | Xpert

Identification number: AR22049

货号	0000-283-881
材料状态	15 - 批准批量生产
制造商	KUKA Roboter
产品图片	

Spare parts



Spare parts graphic KR 20 R1810 F , schematic representation

Pos.	Article number	Designation	Component	Work instruction
1	0000-332-755	SPP IW F/KS-F painted	In-line wrist	
2	0000-309-691	SPP Shaft COS F/HO/KS-F	Connecting shaft	
3	0000-309-643	SPP Motor 2,0kW ME F/HO/KS-F	Motor A1 Motor A2	Exchanging motor A1 更换轴 A2 的电机 Exchanging motor A1
4	0000-309-676	SPP Motor 1,8kW ME F/HO/KS-F	Motor A3	更换轴 A3 的电机 Exchanging motor A3

Pos.	Article number	Designation	Component	Work instruction
5	0000-312-982	SPP Wrist motor A4 assy. F/HO/KS-F	Motor A4	Exchanging motor A4
6	0000-312-984	SPP Motor A6	Motor A6	Exchanging motor A6
7	0000-309-682	SPP gear unit A1 i=55; z=64	Gear A1	
8	0000-309-683	SPP Gearbox TS225 PS i=167 (o.O)	Gear A2	
9	0000-309-684	SPP gear unit TS185-G PS i=117	Gear A3	
10	0000-309-686	SPP input stage TS225 PS i=125	Input gear stage A1	
11	0000-309-689	SPP input stage TS225 PS i=167	Input gear stage A2	
12	0000-288-073	Cable set INT 076F1810	Cable set	
13	0000-246-872	Resolver Digital Converter RDC	RDC	
14	0000-172-903	Electronic Data Storage EDS	EDS	
15	0000-200-304	Mini gauge cartridge	Mastering cartridge A1 Mastering cartridge A2 Mastering cartridge A3 Mastering cartridge A4 Mastering cartridge A5 Mastering cartridge A6	

Export to Excel 

Maintenance information

Gear oil



The quantity of oil drained depends on the draining time and the oil temperature. The refilling quantity is the quantity of oil that was drained from the gear unit at the correct operating temperature and with the correct draining time. This oil quantity must be determined. Only this quantity of oil may be used when refilling.

If less than 70 % of the specified oil quantity flows out, flush the gear unit with the determined quantity of drained oil once, then pour in the amount of oil that was drained. If less than 50% of the specified oil quantity flows out (e.g. inclined installation), the flushing operation must be repeated twice. During the flushing procedure, move the axis at jog velocity throughout the entire axis range.

The oil quantities specified in the table correspond to the oil quantities in the gear unit at first filling.

Gear oil new filling quantity	
A1	1.20 l
A2	0.80 l
A3	0.32 l
A4	0.32 l
A5	0.14 l
A6	0.23 l
Gear oil refilling quantity	
A1	1.00 l
A2	0.77 l
A3	0.30 l
A4	0.31 l
A5	0.14 l
A6	0.22 l

技术数据

基本数据

	KR 20 R1810 F
轴数	6
可控制的轴数	6
工作空间体积	23.3 m ³
位姿重复精度 (ISO 9283)	± 0.04 mm
重量	约 250 kg
额定负荷	20 kg
最大负载能力	23.9 kg
最大运动范围	1813 mm
防护等级 (IEC 60529)	IP65
机器人腕部防护等级 (IEC 60529)	IP67
噪声等级	< 75 dB (A)
安装位置	地面; 屋顶; 墙壁; 任意角度
占地面积	430.5 mm x 370 mm
运动系统安装面布孔图	S260
允许倾角	-
标准色	底座: 黑色 (RAL 9005); 活动部件: 库卡橙色 2567
控制系统	KR C4
变压器名称	KR C4: KR20R1810 C4

环境条件

湿度等级 (EN 60204)	-
环境条件分类 (EN 60721-3-3)	3K3
环境温度	
运行时	5 °C 至 45 °C (278 K 至 318 K)
仓储和运输时	-20 °C 至 60 °C (253 K 至 333 K)

轴数据

运动范围	
A1	±185 °
A2	-185 ° / 65 °
A3	-138 ° / 175 °
A4	±350 °
A5	±130 °
A6	±350 °
额定负载时的速度	
A1	200 °/s
A2	175 °/s
A3	190 °/s
A4	430 °/s
A5	430 °/s
A6	630 °/s

负载能力

额定负荷	20 kg
最大负载能力	23.9 kg
法兰 I_x 额定质量转动惯量	0.36 kgm ²
法兰 I_y 额定质量转动惯量	0.36 kgm ²
法兰 I_z 额定质量转动惯量	0.36 kgm ²
底座的额定附加负载	0 kg
底座的最大附加负载	0 kg
转盘的额定附加负载	0 kg
旋转机构的最大附加负载	20 kg
大臂的额定附加负载	0 kg
大臂的最大附加负载	15 kg
小臂的额定附加负载	10 kg
小臂的最大附加负载	15 kg
负载重心额定距离	
L_{xy}	120 mm
L_z	150 mm

地基负载

纵向动力 F(v)	
F(v 正常)	-
F(vmax)	-
横向动力 F(h)	
F(h 正常)	-
F(hmax)	-
倾覆力矩 M(k)	
M(k 正常)	-
M(kmax)	-
轴 2 转矩 M(r)	
M(r 正常)	-
M(rmax)	-

垂直力 $F(v)$ 、水平力 $F(h)$ 、倾斜力矩 $M(k)$ 、轴 1 的转矩 $M(r)$

关税信息

统计货号	84795000
原产地	DE
制造商	-
重量	264 kg

- > **KR 20 R1810 F** 需要 (6)
- > **KR 20 R1810 F** 带有如下的工具 (11)
- > **KR 20 R1810 F** 带有如下的备件 (15)
- > **KR 20 R1810 F** 有以下选项 (46)